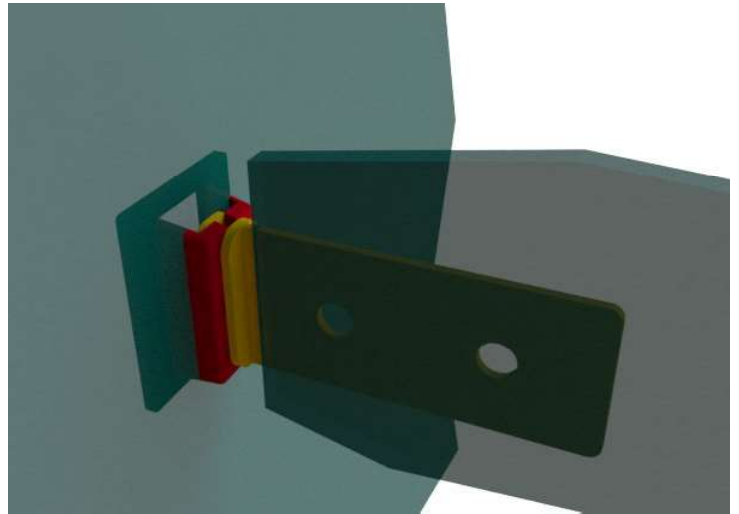
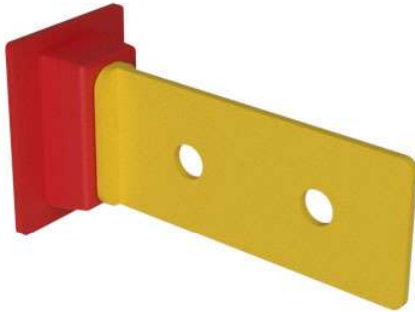


[Back to Index](#)

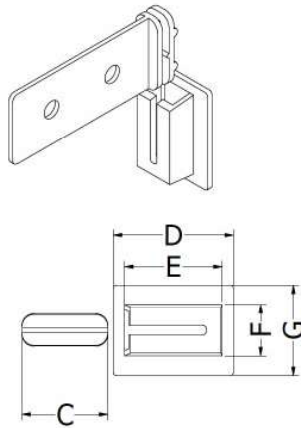
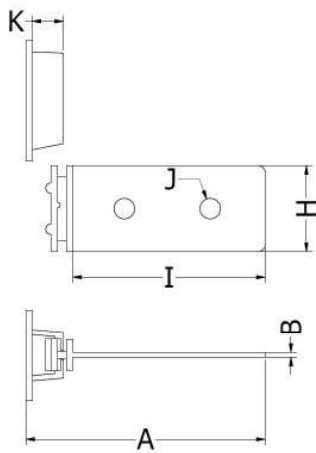
# DISPLAY STAND SUPPORT 1004.0

## MINI VERSION

max load [kg]:



1004.0



product dimensions [mm]

A:	69.5	H:	25
B:	1.5	I:	56
C:	25	J:	6
D:	35	K:	9
E:	28		
F:	15		
G:	26.5		

suggested hole dimensions [mm]



[Back to Index](#)